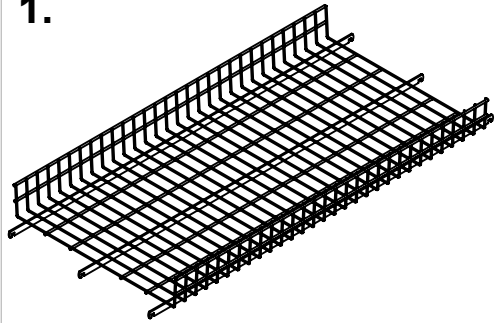
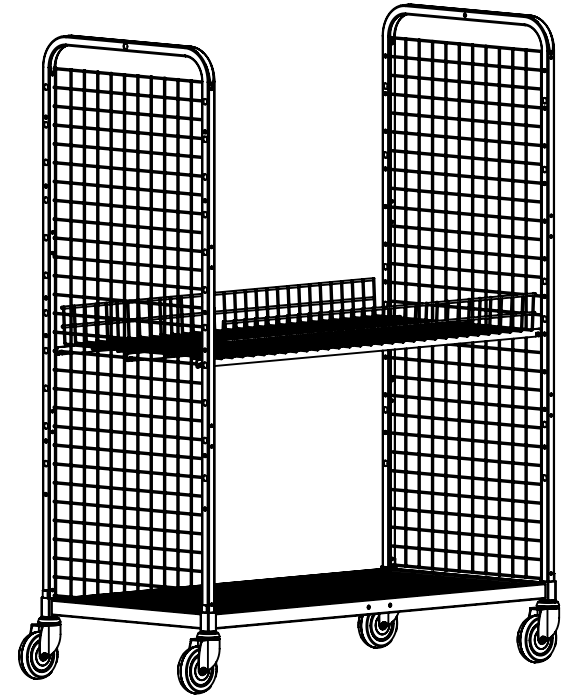
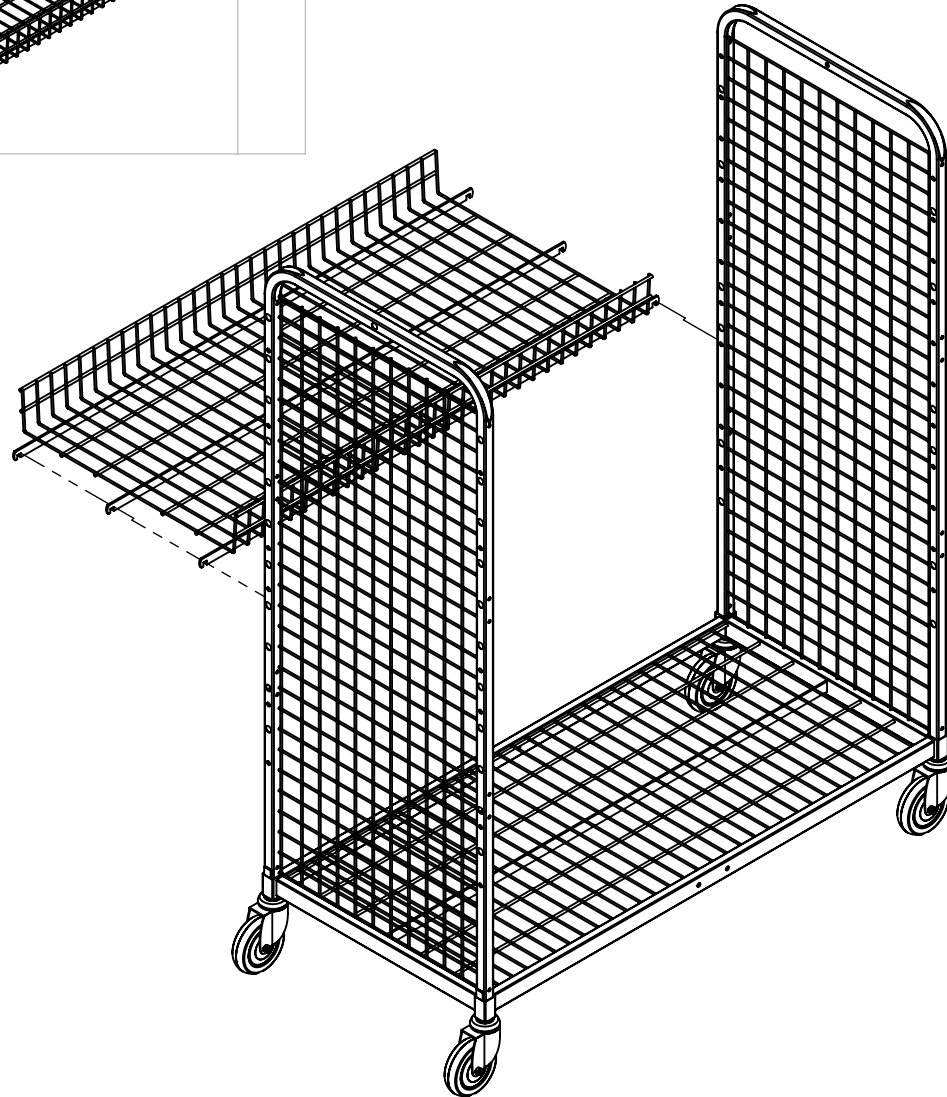


# KM300-HK

1.



1x



**KM300 - all accessories**

