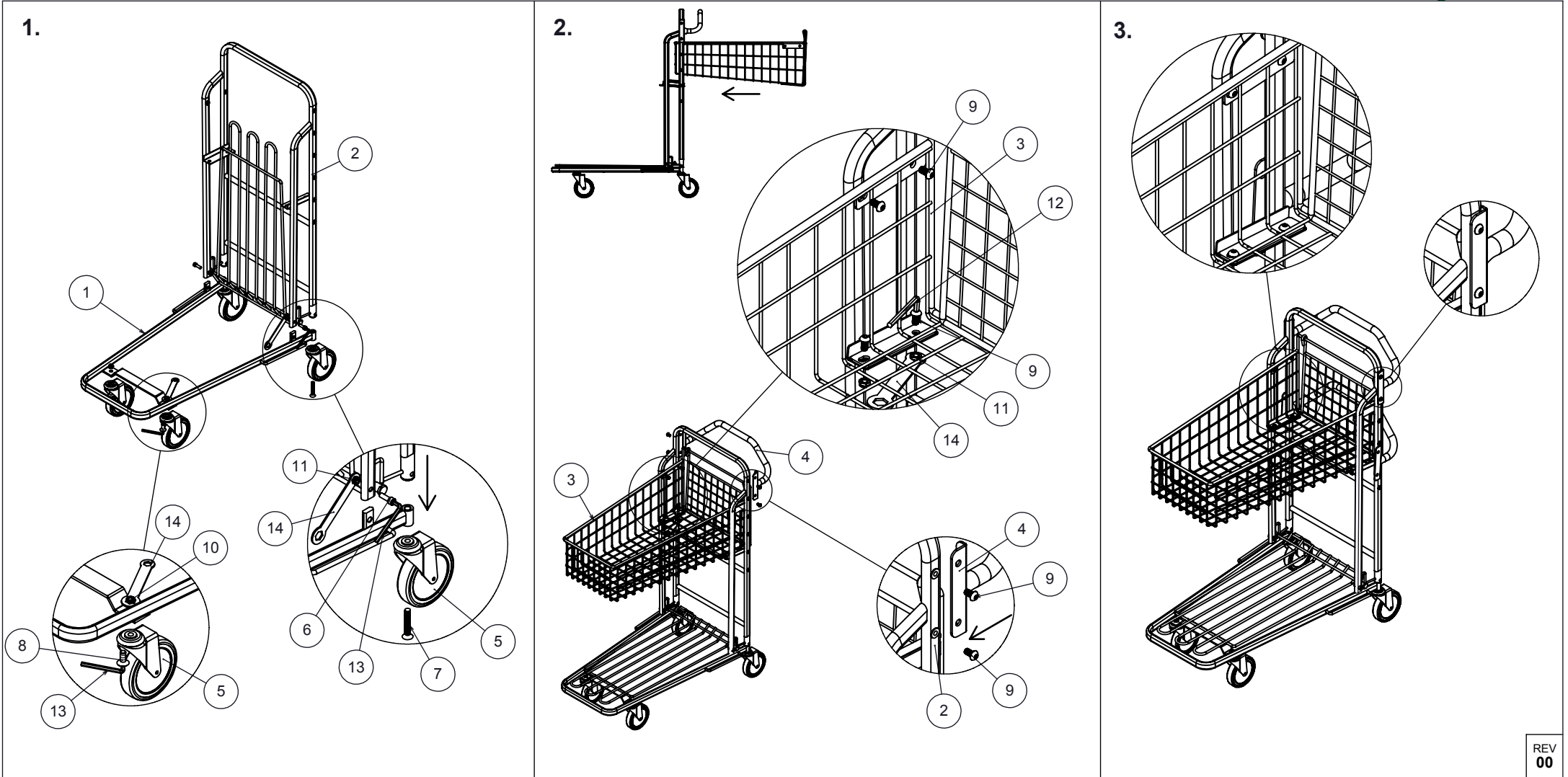


# KM4202-KD-DG , KM4202-KD-E



1	2	3	4	5	6	7	8	9	10	11	12	13	14
1x	1x	1x	1x	4x Ø 125mm	2x M8x25	2x M10x70	2x M10x25	12x M8x15	2x M10	6x M8	1x 5mm	1x 6mm	1x 13-17mm